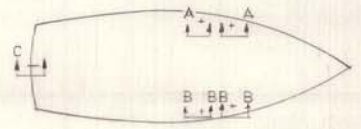
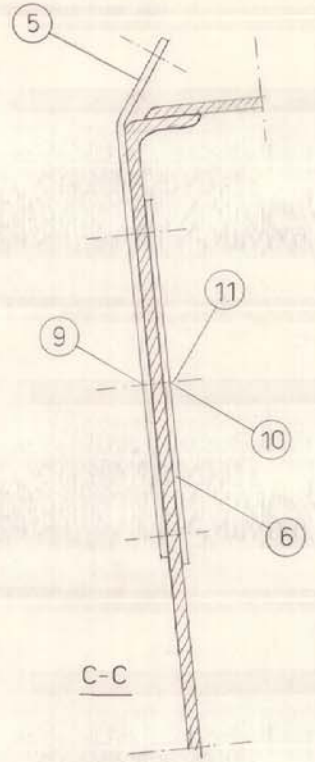
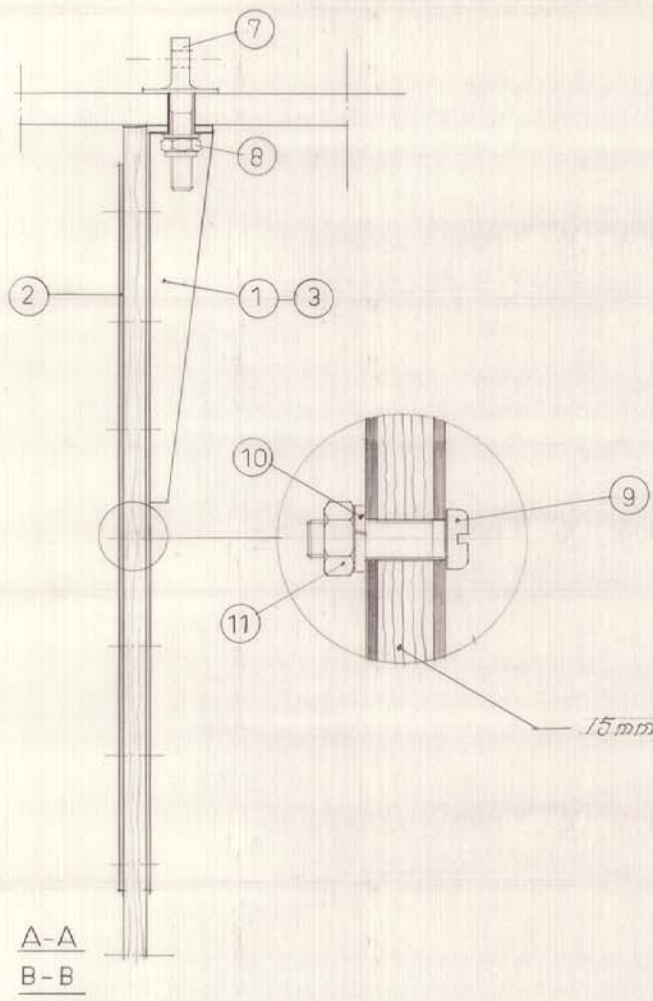


Chain plates : 3-5mm stain-  
less steel.  
Bolts : 10mm stainless steel.



15mm plywood

Fixing of chain plates Emp. text 7609/16

Pos. nr	Ant.	Ritn. nr	Benämning	Material	Anm.
ALBIN 82 MS					
ALBIN MARIN AB KRISTINEHAMN			RÖSTJÄRN smst.		Skala 1:25 1/1 Datum 76.02.12
					2-57729

This drawing shall not be used without the written permission of the designer. The user is responsible for the accuracy of the data and the construction of the product.

ALBIN MARIN AB

